

FT334	P/N : CW31329-101	SUBREV : G
DRAWN BY : KAW	DATE : 3.21.13	SHEET 1 OF 4

D

C

B

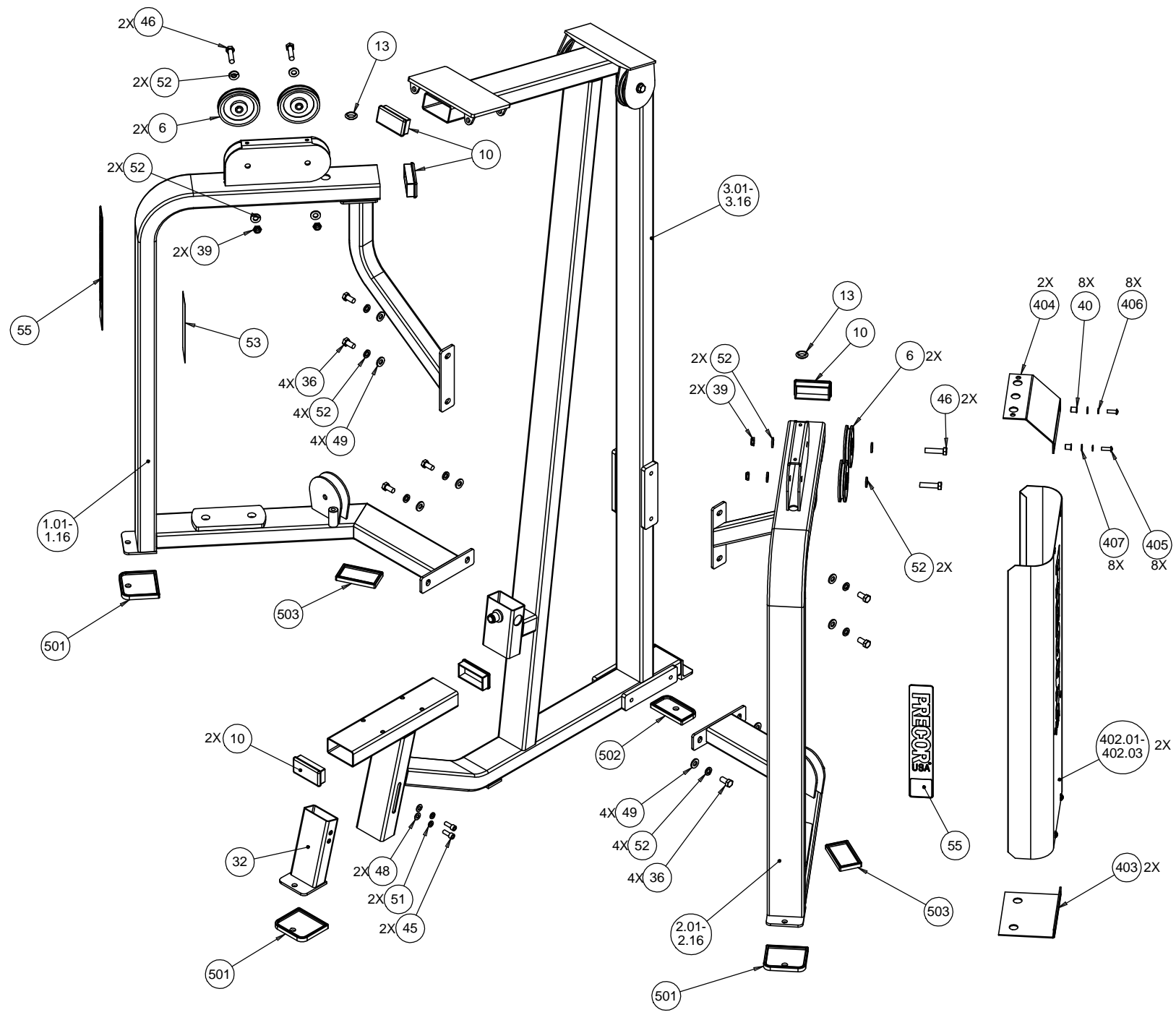
A

4

3

2

1



D

C

B

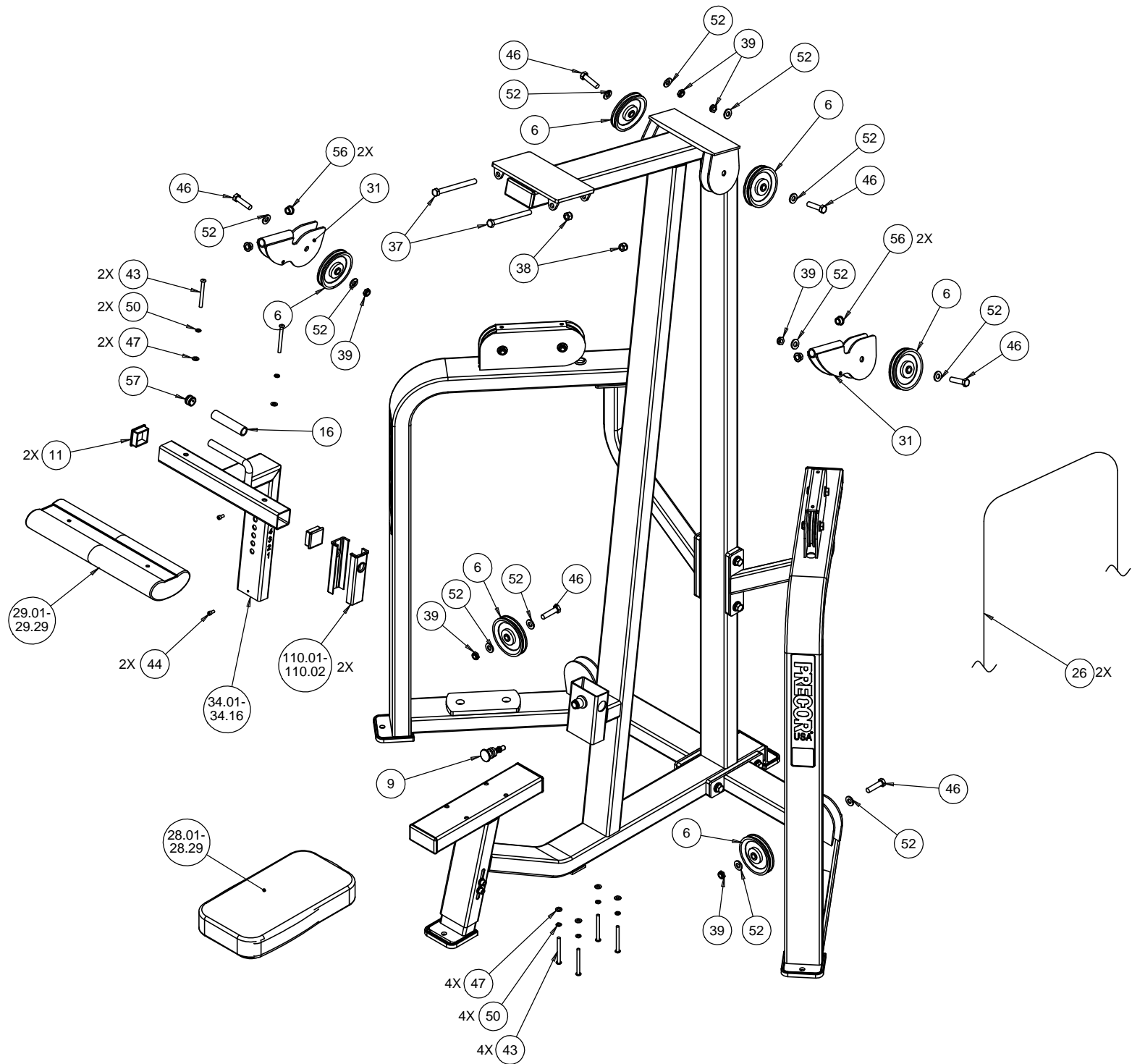
A

4

3

2

1



D

C

B

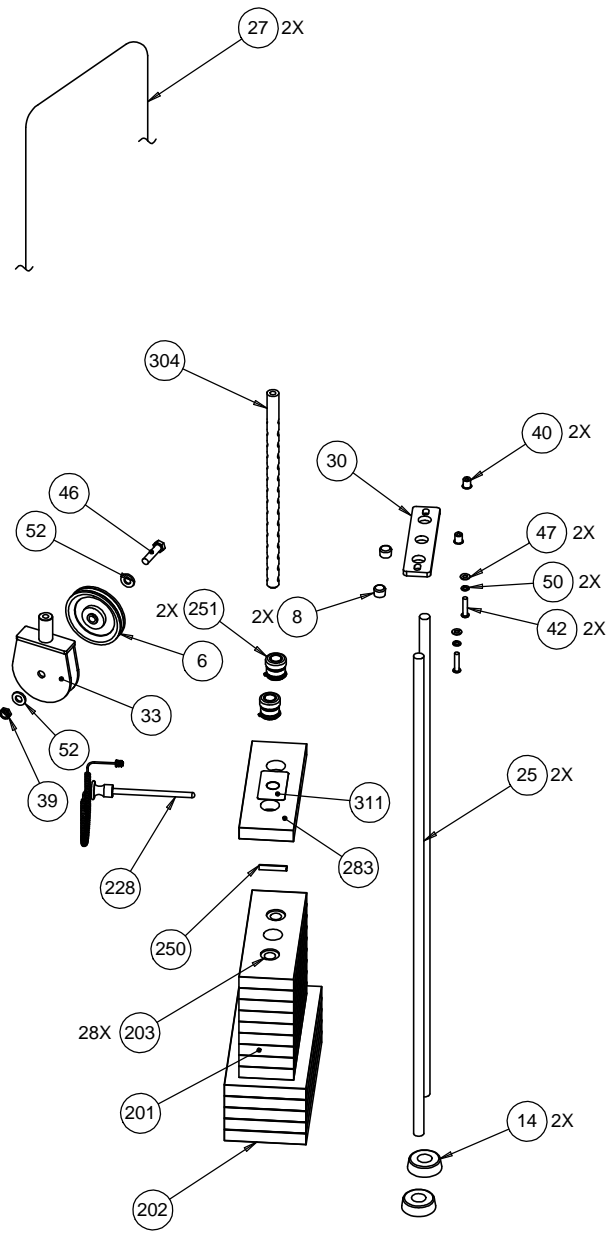
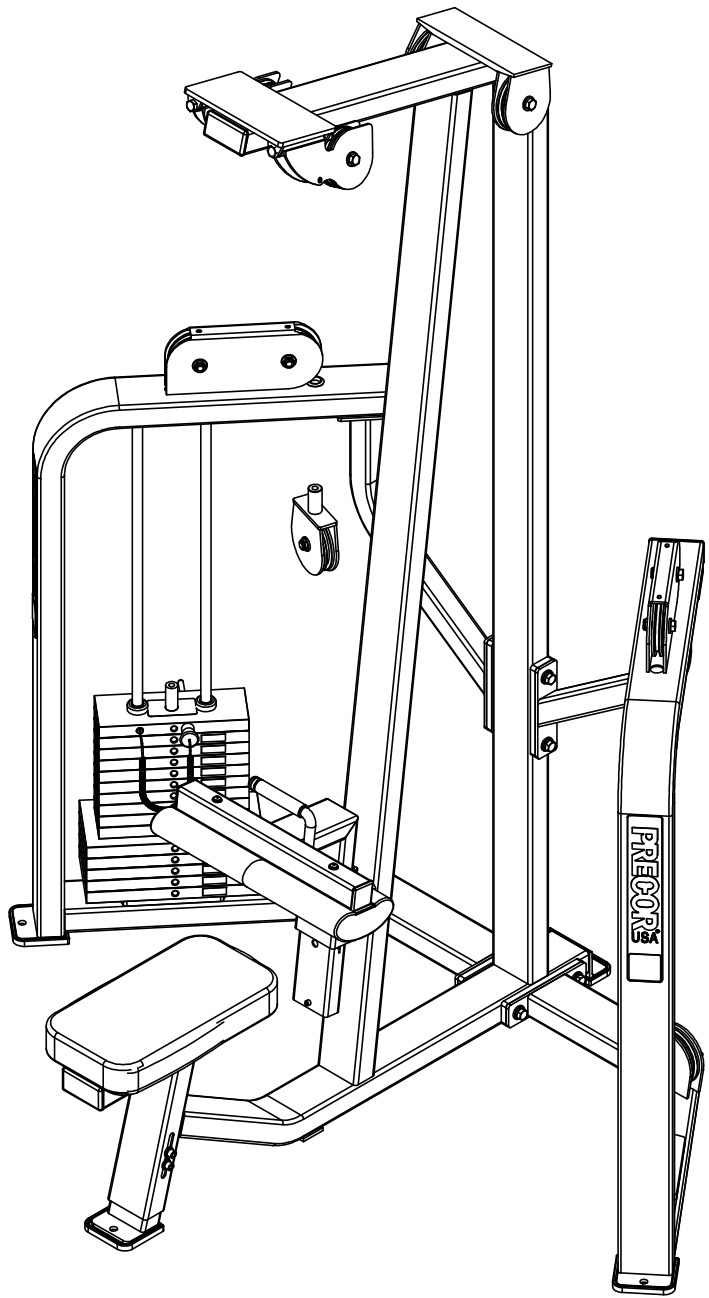
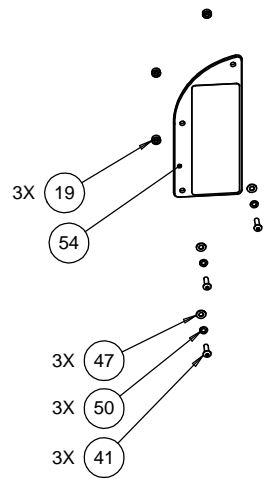
A

4

3

2

1



**VIEW EXPLODED FOR RIGHT FRAME
 LEFT FRAME HAS IDENTICAL COMPONENTS**

FT334 Functional Trainer, Pulldown

Part Number	Description	Bubble Number
CWFT334SA1-211	ASSY,FRAME,WEIGHT STK,LT,SKY WHITE	1.01
CWFT334SA1-311	ASSY,FRAME,WEIGHT STK,LEFT,STONE HG	1.11
CWFT334SA1-321	ASSY,FRAME,WGHT STK,LT,TITANIUM HG	1.12
CWFT334SA2-211	ASSY,FRAME,WEIGHT STK,RT,SKY WHITE	2.01
CWFT334SA2-311	ASSY,FRAME,WEIGHT STK,RIGHT,STONE H	2.11
CWFT334SA2-321	ASSY,FRAME,WGHT STK,RT,TITANIUM HG	2.12
CWFT334SA3-211	ASSY,SEAT PULLDOWN,SKY WHITE	3.01
CWFT334SA3-311	ASSY,SEAT PULLDOWN,STONE HG	3.11
CWFT334SA3-321	ASSY,SEAT PULLDOWN,TITANIUM HG	3.12
CWAC1001-101	LABEL, "ICARIAN", 1 1/2 X 8 1/8	4
CWAC1002-101	LABEL, "ICARIAN", 3 X 16 3/8	5
CWAC1009-101	PULLEY, 4 1/2 DIA X 1/2 ID	6
CW12404-101	CAP, GUIDE ROD,DIA 3/4, BLK	8
CW30165-752	ASSY, POP PIN, 0.450 DIA NOSE, BLU	9
CW11311-102	ENDCAP, REC TUBE, 2X4, BLK PLASTIC	10
CW11311-103	ENDCAP, REC TUBE, 2X2, BLK PLASTIC	11
CW12626-101	GROMMET, HOLE, FLEXTMP, OD 1.04, I	13
CW12402-101	BUMPER, ID 1.050, BLK RUBBER	14
CW34822-101	LABEL, "ASSEMBLED IN THE USA"	15
CWGR4804-500	GRIP, RUBBER, .75" OD HANDLE, 4.50"	16
CWAC1183-101	LABEL, WARNING, SERIOUS INJURY	17
CWAC1228-901	SPACER, ALU,.328 ID X .625 OD X .25	19
CW12589-741	CARBINE, HOOK, MEDIUM, 5/16" DIA, 3	21
CW32580-102	HANDLE, WEBBING 25.79", D-RING (4X)	22
CW30077-101	LABEL,INSTRUCTION,FT334	24
CWPF1212-711	GUIDE ROD, 3/4 X 42 5/8 (#4), CHM	25
CWCLGG051-500	ASSY, CABLE, FT332, FT334, FT555	26
CWCLRA184-250	ASSY, CABLE, MARINE EYES, FT334	27
CWPD1105B-101	PAD,9X17,4HOLES,W/BP,BLACK	28.01
CWPD1141J-101	PAD,4X19,2HOLES,W/BP,BLACK, W/SLIP	29.01
CWPF1016-101	UHMWPE, GUIDE ROD CAPTURE PLATE	30
CW31303-721	ASSY, PIVOTING PULLEY HOUSING, WRKL	31
CWCAYN038-100	SCREW, SOCKET HEAD, BLK XYLAN, 3/8	31
CW30107-200	WEIGHT STACK,200 LBS,MTP-S,9 X 10 L	32
CW33363-731	ASSY, FLOATING PULLEY HOUSING, BLK	33
CWWBKN038-007	WASHER, FLAT, TYPE A, SAE, 3/8 ID	33
CWSA3020-211	ASSY,THIGH PAD ADJUSTER, SKY WHITE	34.01
CWSA3020-221	ASSY,THIGH PAD ADJUSTER, BLACK	34.02
CWSA3020-231	ASSY,THIGH PAD ADJUSTER, RED	34.03
CWSA3020-241	ASSY,THIGH PAD ADJUSTER, PLATINUM S	34.04
CWSA3020-251	ASSY,THIGH PAD ADJUSTER, SILVER	34.05
CWSA3020-261	ASSY,THIGH PAD ADJUSTER, BLUE	34.06
CWSA3020-271	ASSY,THIGH PAD ADJUSTER, CHARCOAL	34.07
CWSA3020-281	ASSY,THIGH PAD ADJUSTER, CATHEDRAL	34.08
CWSA3020-291	ASSY,THIGH PAD ADJUSTER, SILVER VIE	34.09
CWSA3020-311	ASSY,THIGH PAD ADJUSTER	34.11
CWSA3020-321	ASSY,THIGH PAD ADJUSTER, TITANIUM H	34.12
CWSA3020-331	ASSY,THIGH PAD ADJUSTER, WHITE GLOS	34.13

CWSA3020-341	ASSY,THIGH PAD ADJUSTER, BLACK ONYX	34.14
CWSA3020-351	ASSY,THIGH PAD ADJUSTER, LIGHT BRON	34.15
CWSA3020-361	ASSY,THIGH PAD ADJUSTER, SAPPHIRE B	34.16
CWHCYN050-100	SCREW,HEX HEAD,BLK XYLAN,1/2-13 X 1	36
CWHCCN050-600	SCREW, HEX HEAD, ZINC, 1/2-13 X 6	37
CWKDYN050-059	LOCKNUT, NYLON INSERT, FULL, UNC, 1	38
CWKAYN050-031	LOCKNUT, NYLON INSERT, HALF, UNC, 1	39
CW12537-109	NUT,INSERT,THIN-NUT,LARGE FLANGE	40
CWTAYN031-100	SCREW, BUTTON HEAD, BLK XYLAN, 5/16	41
CWTAYN031-150	SCREW, BUTTON HEAD, BLK XYLAN, 5/16	42
CWTAYN031-325	SCREW, BUTTON HEAD, BLK XYLAN, 5/16	43
CWCAYN025-050	SCREW, SOCKET HEAD, BLK XYLAN, 1/4	44
CWCAYN038-100	SCREW, SOCKET HEAD, BLK XYLAN, 3/8	45
CWHCYN050-200	SCREW, HEX HEAD, BLK XYLAN, 1/2-13	46
CWWBKN031-007	WASHER, FLAT, TYPE A, SAE, 5/16 ID	47
CWWBKN038-007	WASHER, FLAT, TYPE A, SAE, 3/8 ID	48
CWWBKN050-010	WASHER, FLAT, TYPE A, SAE, 1/2 ID X	49
CWWALYN031-008	WASHER, SPLIT, 5/16 ID, BL	50
CWWALYN038-009	WASHER, SPLIT, 3/8 ID, BLK XYLAN	51
CW30245-733	WELDMENT, ADJ. LEVELING FOOT, BLK Z	52
CWWBKN050-010	WASHER, FLAT, TYPE A, SAE, 1/2 ID X	52
CWWALYN050-013	WASHER, SPLIT, 1/2 ID, BLK XYLAN	52
CW30010-102	LABEL,WARNING STRENGTH	53
CW30158-101	ASSY, LABEL,INSTRUCTION,FT334	54
CW31756-101	LABEL, PRECOR USA ICARIAN LINE	55
CW10433-108	BUSHING,FLNGD.,.75ODX.5IDX.5,IGUS R	56
CWAC220-901	HANDLE END CAP W/SET SCREWS, DIA 3/	57
CWWALYN038-009	WASHER, SPLIT, 3/8 ID, BLK XYLAN	77
CWAC1236-102	GUIDE INSERT, PLASTIC WITH HOLE, BL	110.01
CW33626-902	GUIDE, THCK, TELESCOPING TUBE	110.02
CW10510-721	ASSY, PLATE, WEIGHT, 10 LBS, WRKL B	201
CW10520-721	ASSY, PLATE, WEIGHT, 20 LBS, WRKL B	202
CWAC1133-101	BUSHING, WEIGHT PLATE, LDPE PLASTIC	203
CW33870-102	ASSEMBLY, 5" WEIGHT STACK PIN & LEA	228
CWLDNN038-200	SLOTTED PIN SPRING, DIA 3/8 X 2	250
CW10519-721	PLATE, WEIGHT, 20 LBS, WRKL BLK	279
CW32560-101	ASSY, PLATE, WEIGHT, MED TOP (MTP-S	299
CW30130-711	SELECTOR STEM, 15 PLATE,0 .875 DIA,	304
CW33265-101	LABELS,WEIGHT STACK,200 LBS,10-200	399
CW33271-102	LABELS,WEIGHT STACK,250 LBS,20-250	399
CW12537-109	NUT,INSERT,THIN-NUT,LARGE FLANGE	400
CWPF3143-211	SHROUD,SHEET,STEEL,4 BENDS, SKY WHI	402.01
CWPF3143-221	SHROUD,SHEET,STEEL,3/32 THICK,4 BEN	402.02
CWPF3143-231	SHROUD,SHEET,STEEL,3/32 THICK,4 BEN	402.03
CWPF3143-241	SHROUD,SHEET,STEEL,3/32 THICK,4 BEN	402.04
CWPF3143-251	SHROUD,SHEET,STEEL,3/32 THICK,4 BEN	402.05
CWPF3143-261	SHROUD,SHEET,STEEL,3/32 THICK,4 BEN	402.06
CWPF3143-271	SHROUD,SHEET,STEEL,3/32 THICK,4 BEN	402.07
CWPF3143-281	SHROUD,SHEET,STEEL,3/32 THICK,4 BEN	402.08
CWPF3143-291	SHROUD,SHEET,STEEL,3/32 THICK,4 BEN	402.09
CWPF3143-311	SHROUD,SHEET,STEEL,3/32 THICK,4 BEN	402.11
CWPF3143-321	SHROUD,SHEET,STEEL,4 BENDS, TITANIU	402.12

CWPF3143-331	SHROUD,SHEET,STEEL,3/32 THICK,4 BEN	402.13
CWPF3143-341	SHROUD,SHEET,STEEL,3/32 THICK,4 BEN	402.14
CWPF3143-351	SHROUD,SHEET,STEEL,3/32 THICK,4 BEN	402.15
CWPF3143-361	SHROUD,SHEET,STEEL,3/32 THICK,4 BEN	402.16
CWPF3143-711	SHROUD,SHEET,STEEL,3/32 THICK,4 BEN	402.17
CWPF3144-721	SHROUD BRKT,PLATE,STEEL,1/8 THICK,1	403
CWPF3145-721	SHROUD BRKT,PLATE,STEEL,1/8 THICK,2	404
CWTAYN031-100	SCREW, BUTTON HEAD, BLK XYLAN, 5/16	405
CWWALYN031-008	WASHER, SPLIT, 5/16 ID, BL	406
CWWBKN031-007	WASHER, FLAT, TYPE A, SAE, 5/16 ID	407
CWAC1177-101	FLOOR PROTECTOR, RUBBER, 4.563 X 4.	501
CWAC1179-101	FLOOR PROTECTOR, RUBBER, 4.813 X 2.	502
CWAC1180-101	FLOOR PROTECTOR, RUBBER, 2.563 X 4.	503